



0252 Brake drum vernier calipers



Model

- Stainless steel
- Reading parts have a satin chrome finish
- Factory standard
- Locking screw
- Low-set master scale
- High-precision laser graduation on vernier and scale

Delivery

- Cardboard box

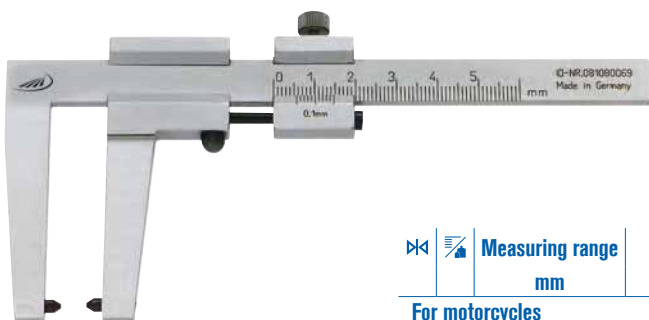
✂	📏	Measuring range internal mm	Measuring range external mm	Jaw length mm	Reading mm	Error limit mm	Order no.	List price EUR
		40 - 300	0 - 300	90	0.05	0.1	0252 201	143.00
		50 - 500	0 - 500	150	0.05	0.14	0252 202	275.00
		50 - 600	0 - 600	200	0.05	0.16	0252 203	301.00

0252 Replacement points (pair) for brake drum vernier calipers



✂	📏	Description	Order no.	List price EUR
		For measuring range 300 mm	0252 291	4.40
		For measuring range 500 + 600 mm	0252 293	5.40

0253 Brake disc inspection gauges



Model

- Special steel
- Reading parts have a satin chrome finish
- Factory standard
- Locking screw
- With trailing vernier
- High-precision laser graduation on vernier and scale

Delivery

- Cardboard box

✂	📏	Measuring range mm	Jaw length mm	Reading mm	Error limit mm	Order no.	List price EUR
For motorcycles							
		0 - 50	30	0.1	0.1	0253 300	84.00
For cars							
		0 - 50	50	0.1	0.14	0253 301	84.00
		0 - 60	80	0.1	0.14	0253 311	109.00
For trucks							
		0 - 80	50	0.1	0.16	0253 302	107.00

0253 Replacement points (pair) for brake disc inspection gauges



✂	📏	Order no.	List price EUR
		0253 391	3.90



HELIOS · PREISSER

1352 DIGI-MET® Calipers for internal grooves



1

Model

- Stainless steel
- LCD display 7.5 mm
- Factory standard
- Locking screw
- IP67: up to 200 mm
- IP65: 250 and 300 mm

Functions

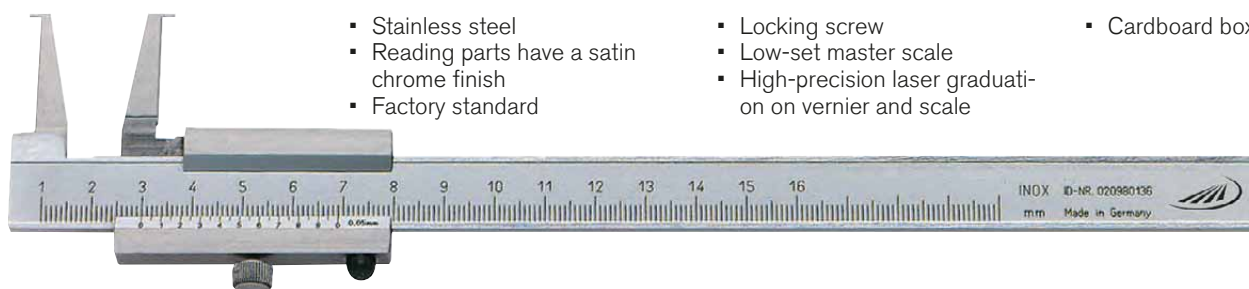
- ON / OFF
- Quick-Start
- Quick-Lock (key lock)
- Set to zero at any point
- mm / inch switching
- PRESET-Function (setting a numerical value)

Delivery

- Variable data output RS 232 + Digimatic + USB
- Setting ring sold separately
- Wooden case

Measuring range	Jaw length		Reading		Error limit	Order no.	List price
	mm	mm	inch	mm			
10 - 160	25	1.0	0.01	.0005	0.06	1352 516	388.00
20 - 160	40	1.5	0.01	.0005	0.06	1352 517	437.00
26 - 200	60	2.3	0.01	.0005	0.06	1352 518	800.00
30 - 250	80	3.1	0.01	.0005	0.06	1352 520	900.00
35 - 300	100	3.9	0.01	.0005	0.06	1352 522	939.00

0258 Calipers for internal grooves



Model

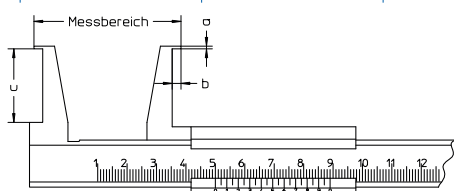
- Stainless steel
- Reading parts have a satin chrome finish
- Factory standard

Delivery

- Locking screw
- Low-set master scale
- High-precision laser graduation on vernier and scale
- Cardboard box

Measuring range	Jaw length		Reading	Error limit	Order no.	List price
	mm	mm				
10 - 160	25	1.0	0.05	0.1	0258 501	144.00
20 - 160	40	1.5	0.05	0.1	0258 502	192.00
26 - 200	60	2.3	0.05	0.1	0258 503	295.00
30 - 250	80	3.1	0.05	0.1	0258 504	333.00
35 - 300	100	3.9	0.05	0.1	0258 505	372.00

Dimensions of 0258 and 1352



Measuring range mm	a	b	c
10 - 160	0.9	3.0	25
20 - 160	2.0	5.0	40
26 - 200	3.0	7.0	60
30 - 250	4.0	8.5	80
35 - 300	5.0	10.0	100

M & B Calibr, spol. s r.o. | obchod@mbcalibr.cz | +420 546 434 700 | www.mbalibr.cz